

MICRO SWITCH
 FREEPORT, ILLINOIS, U.S.A.
 A DIVISION OF HONEYWELL
 FED. MFG. CODE 91929

SWITCH - ENCLOSED

CATALOG LISTING
BZE6-2RQ

BZE6-2RQ

M

DRAWING NUMBER

10

ISSUE

REPLACES

RELEASE NO.

PSR 29AUG07

CHECK

ROB 2 SEP 77

CHECK

ROB 6 NOV 84

CHECK

ROB 11 SEP 92

CHECK

ROB 10 NOV 05

CHECK

ROB 29 AUG 77

CHECK

ROB 29 AUG 77

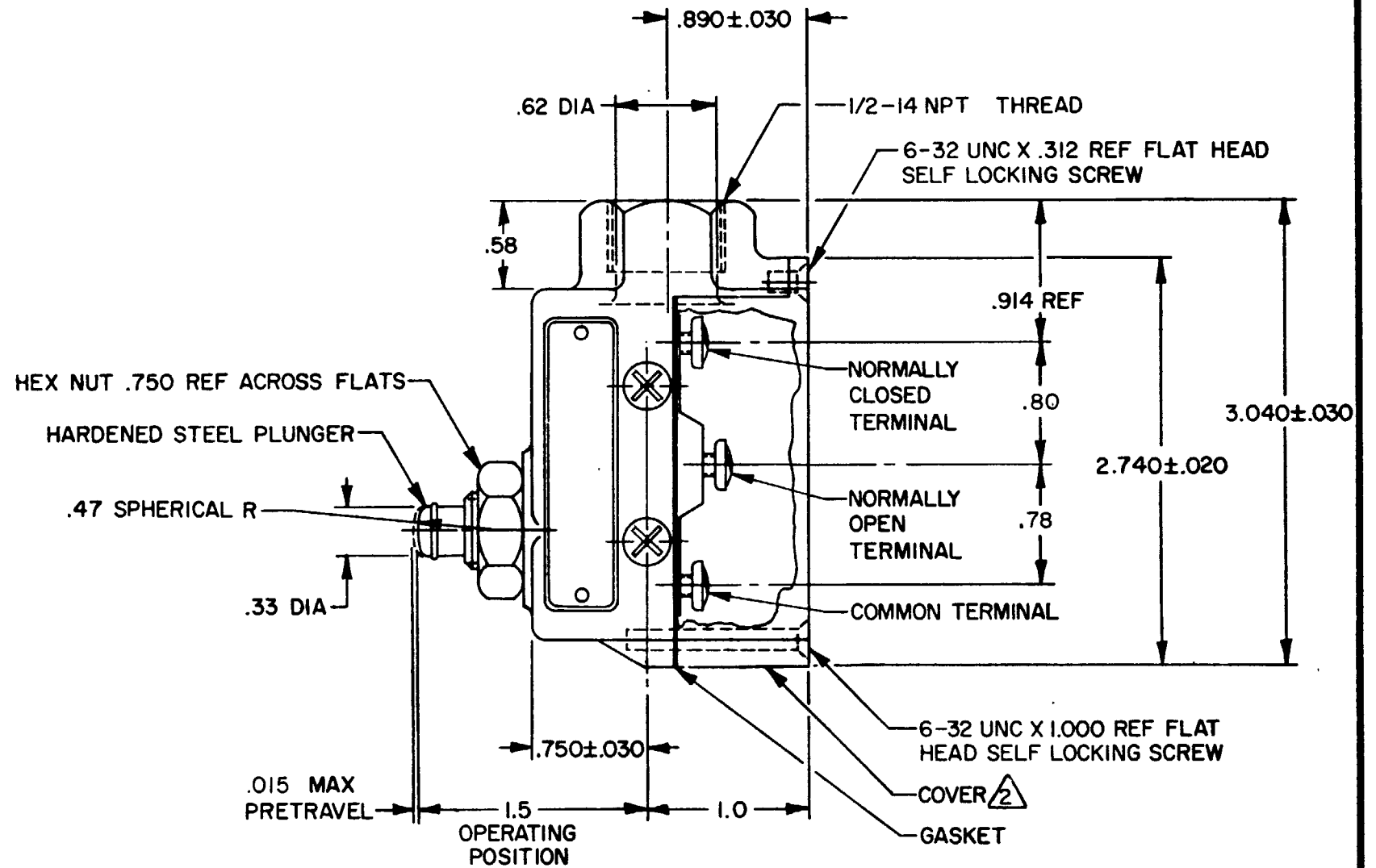
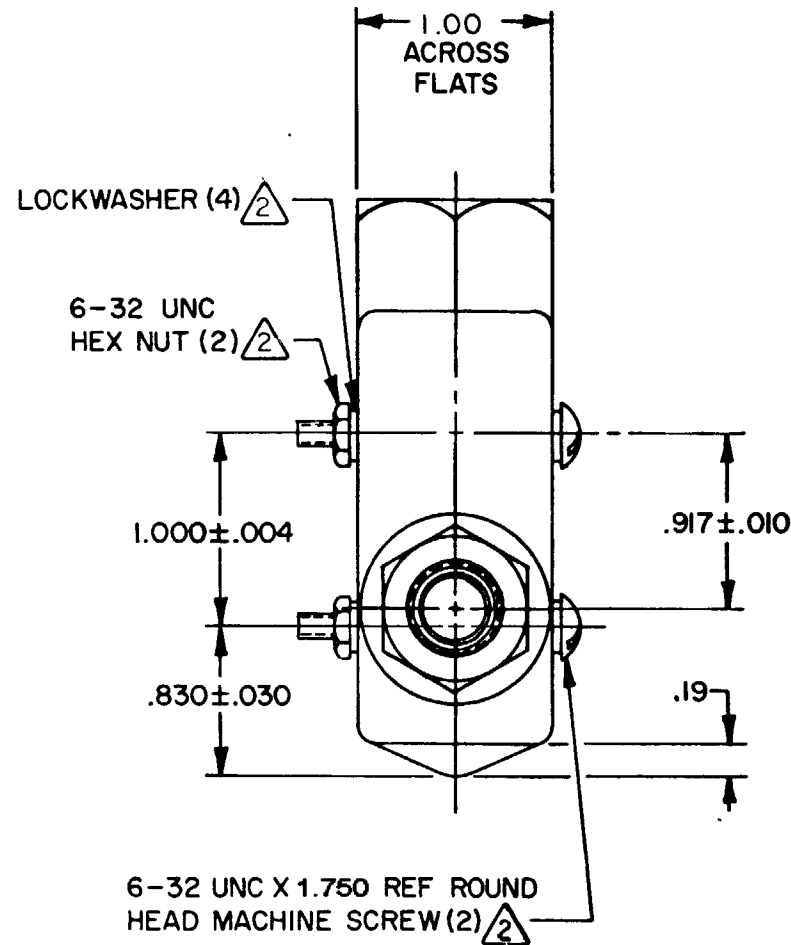
CHECK

ROB 29 AUG 77

REVISIONS

A	0038200	JAS	29 AUG 77
B	0053191-G	CJH	29 AUG 77
C	0055989	JAS	6 NOV 84
D	0054958	GJW	6 NOV 84
E	0072618	KRB	10 NOV 05
F	0016894	BS	29 AUG 07
G	0033014	BS	29 AUG 07

RASTER
FO-82851-A
DRAWN



NOTES -

- 1 - 6-32 UNC X .219 REF BINDING HEAD TERMINAL SCREW AND CUPWASHER (3)
- ² FURNISHED UNASSEMBLED
- 3 - SEAL RATING: NEMA1
IP40

THIS DRAWING COVERS A PROPRIETARY ITEM AND IS THE PROPERTY OF MICRO SWITCH, A DIVISION OF HONEYWELL. THIS DRAWING IS NOT TO BE COPIED OR USED WITHOUT THE APPROVAL OF MICRO SWITCH.

CHARACTERISTICS	ELECTRICAL DATA	SCALE FULL
OPERATING FORCE ----- 9-13 OZ	CONTACT ARRANGEMENT SPDT	DO NOT SCALE PRINT
RELEASE FORCE ----- 4 OZ MIN	15A-125, 250 OR 480 VAC, 2A-600 VAC 1/8 HP-125 VAC; 1/4 HP-250 VAC 1/2A-125 VDC; 1/4A-250 VDC CODE L74	UNLESS OTHERWISE NOTED DIMENSIONS ARE IN INCHES
DIFFERENTIAL TRAVEL ----- .002 MAX	CE 1.5A, 240 Vac	TOLERANCES ARE:
OVERTRAVEL ----- .219 MIN		ONE PLACE (.0) ± .030 TWO PLACE (.00) ± .015 THREE PLACE (.000) ± .005 ANGLES
BASIC SWITCH REPLACEMENT ----- BZ-2RQ66		WEIGHT .53 LB